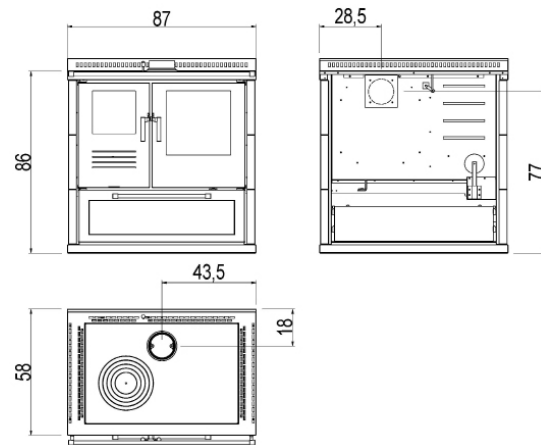


CENTRAL UPPER EXHAUST

- IVORY STEEL
7113030
EAN 8033123610711
- RED STEEL
7113029
EAN 8033123610704

RIGHT BACK EXHAUST

- IVORY STEEL
7113032
EAN 8033123613484
- RED STEEL
7113031
EAN 8033123613477



EXTRA



Upper and back exhaust



Overheating protection



Handgrip against burn



Refractory stone inner with 2nd combustion air



Cooking

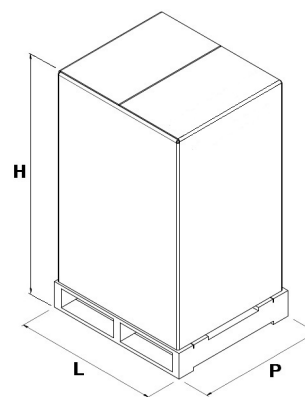


View on the oven

TECHNICAL DATAS

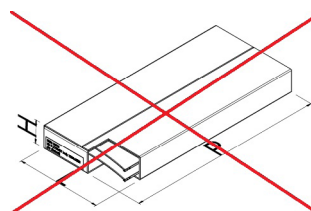
Nominal power	kW	8,3
Reduced power	kW	-
Nominal water useful power	kW	-
Reduced water useful power	kW	-
Nominal efficiency	%	80
Reduced efficiency	%	-
Heating volume (max)	m ³	199
Nominal CO at 13% O ₂	%	0,80
Reduced CO at 13% O ₂	%	-
Nominal dust content at 13% O ₂	mg/Nm ³	-
Boiler capacity (H ₂ O)	l	-
Hopper capacity	kg	-
Combustible		Wood
Hourly consumption (max)	kg/h	-
Autonomy (min-max)	h	-
Ignition electrical absorption (max)	W	-
Operating electrical absorption (max)	W	-
Supply and frequency	V - Hz	-
Chimney flue depression	Pa	11,5
Exhaust diameter	mm	120
Combustion air inlet diameter	mm	-
Mass of smoke (max)	g/sec	5,4
Exhaust fumes temperature (max)	°C	237
Net weight	kg	149
Gross weight	kg	159

PACKAGING AND STOCKING



L (cm)	95,5
H (cm)	100
P (cm)	68,5

LINING PACKING



LINING	L (cm)	H (cm)	P (cm)



EN 12815:2001/A1:2004/AC:2007