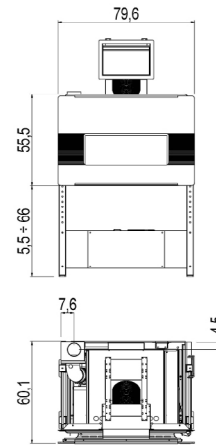


STOVE STRUCTURE CODE 7013013  
EAN 8033123611947

GLASS

- WHITE  
6913042  
EAN 8033123613033
- BLACK  
6913041  
EAN 8033123613026



EXTRA



Upper exhaust



Overheating protection



Cold hand



Connection to the external thermostat



Daily weekly programming



Remote control

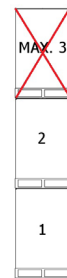
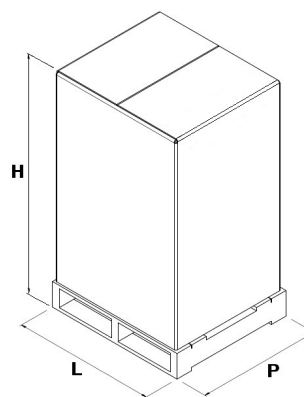


Steel burning pot AISI

TECHNICAL DATAS

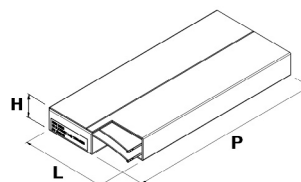
Nominal power	kW	<b>8</b>
Reduced power	kW	<b>4,6</b>
Nominal water useful power	kW	-
Reduced water useful power	kW	-
Nominal efficiency	%	<b>88</b>
Reduced efficiency	%	<b>87,5</b>
Heating volume (min-max)	m <sup>3</sup>	<b>110 - 192</b>
Nominal CO at 13% O <sub>2</sub>	%	<b>0,011</b>
Reduced CO at 13% O <sub>2</sub>	%	<b>0,042</b>
Nominal dust content at 13% O <sub>2</sub>	mg/Nm <sup>3</sup>	<b>20</b>
Boiler capacity (H <sub>2</sub> O)	l	-
Hopper capacity	kg	<b>8</b>
Combustible		<b>Pellet ø6</b>
Hourly consumption (min-max)	kg/h	<b>1,10 - 2,10</b>
Autonomy (min-max)	h	<b>7,3 - 3,8</b>
Ignition electrical absorption (max)	W	<b>340</b>
Operating electrical absorption (max)	W	<b>40</b>
Supply and frequency	V - Hz	<b>230 - 50</b>
Chimney flue depression	Pa	<b>12</b>
Exhaust diameter	mm	<b>80</b>
Combustion air inlet diameter	mm	<b>97x17</b>
Mass of smoke (min-max)	g/sec	<b>6,8 - 7,6</b>
Exhaust fumes temperature (max)	°C	<b>157</b>
Net weight	kg	<b>144</b>
Gross weight	kg	<b>154</b>

PACKAGING AND STOCKING



L (cm)	<b>85,5</b>
H (cm)	<b>100</b>
P (cm)	<b>68,5</b>

LINING PACKING



LINING	L (cm)	H (cm)	P (cm)
Glass	<b>110</b>	<b>13</b>	<b>54</b>



EN 14785:2006



BImSchV 2015



Regensburg

München

Stuttgart

Aachen